

■DESCRIPTION

The TS-800 is a Central unit of the Infrared Conference system. Since the system is cordless, it can be easily installed and removed based on a free layout. Connecting the TS-800 to the Transmitter/Receiver units permits control of the conference units. It features control function from a PC (The control software is not attached.), and installation confirmation function that confirms the connection status for the Transmitter/Receiver units and installation status for the conference units. With the use of an optional rack mounting bracket, it can be mounted in an EIA Standard equipment rack (4 unit size).

■SPECIFICATIONS

\* 0 dB = 1 V

Power Source	100 - 240 V AC, 50/60 Hz (supplied from AC adapter (accessory))
Power Consumption	72 W
Input	MIC: -60 dB*, 600 Ω, unbalanced, phone jack AUX: -20 dB*, 10 kΩ, unbalanced, phone jack
Output	REC: -20 dB*, 10 kΩ, unbalanced, phone jack, RCA pin jack HEADPHONE: Mini jack
Number of Connectable Chairman/Delegate Units	64 units
Number of Connectable Infrared Transmitter/Receiver Units	4 units (up to 16 units by using four Distributors)
Infrared Transmitter/Receiver I/O Terminal	4 BNC jacks
External Control Terminal	D-sub connector (9 P, male)
LED Indicator	Audio signal receiving indicators 1 - 4 CH, Data signal receiving indicator, External control priority indicator, External control communication indicator, Power indicator, Battery indicator (flashes when a Chairman/Delegate unit's battery nears complete discharge)
Function Switch	Simultaneous speaker No. setting switch: 1/2/4 Mic-off setting switch: TIME OUT ON/OFF Speech priority selector switch: A/B/C (A: First-in-first-out priority, B: Last-in-first-out priority, C: Fixed for the first unit, and last-in-first-out for the subsequent units)
Operating Temperature	0°C to +40°C
Finish	Panel: Surface-treated steel plate, gray metallic, paint, semi-gloss
Weight	2.7 kg
Accessory	AC adapter (Cord length: 1.8 m DC cord, and 2 m detachable AC cord)•1
Option	Rack mounting bracket: MB-TS900

■ APPEARANCE

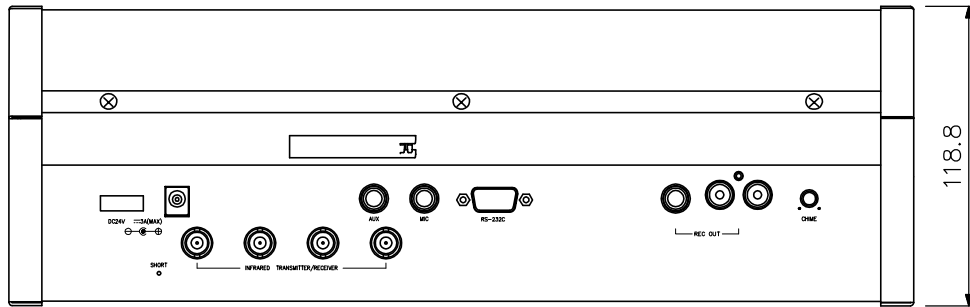


Figure as viewed from point A

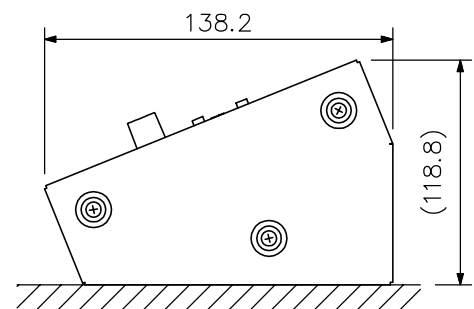
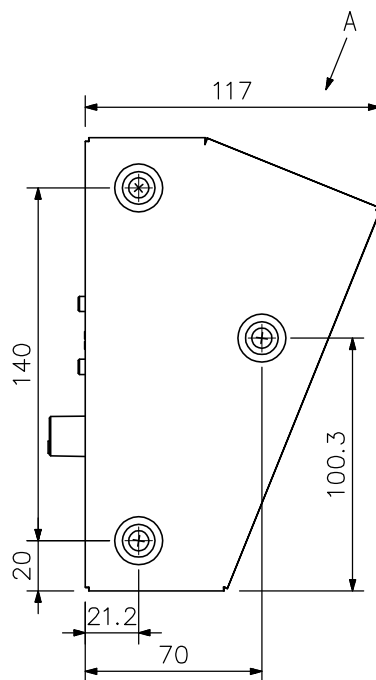
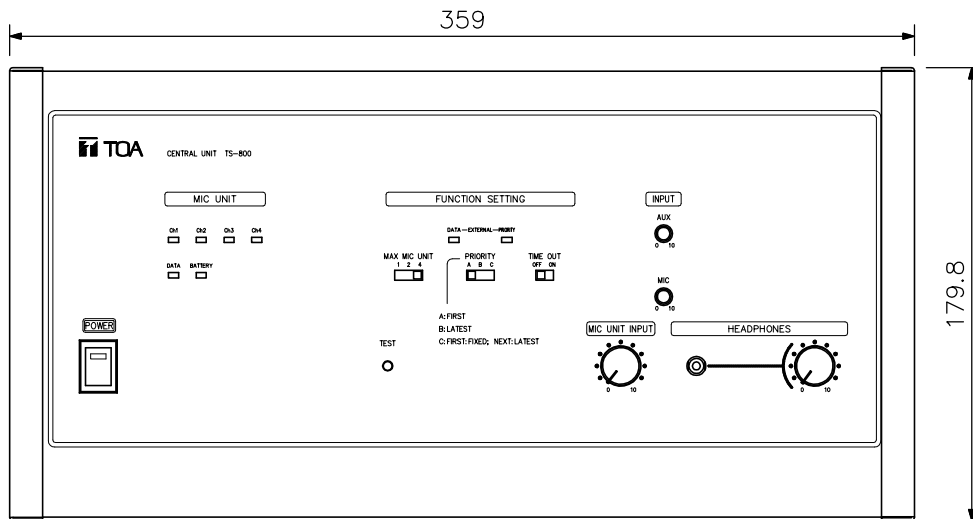


Figure of the unit installed  
(scale: 1/4)

UNIT:mm SCALE:1/3